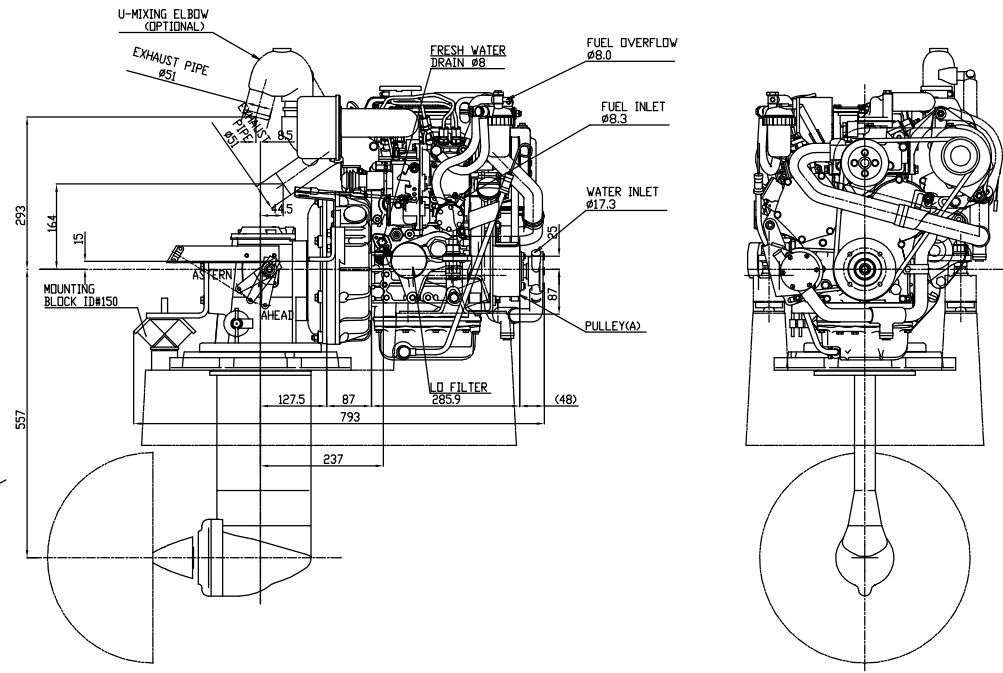
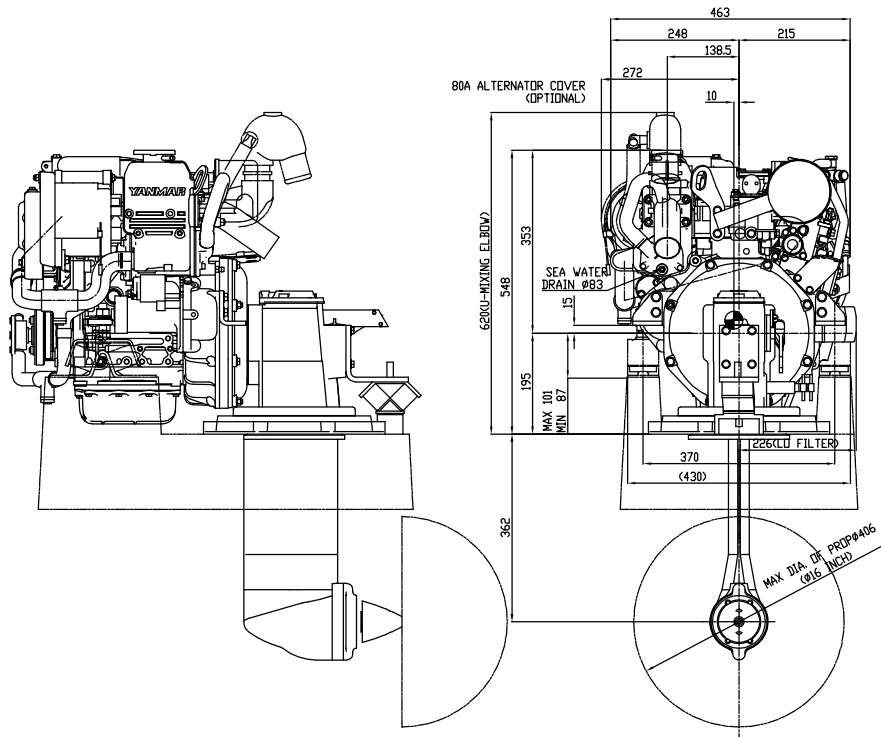


DETAIL OF PULLEY(B)  
(SCALE 1:3)



NOTE  
 1. DIMS SHOWS MOUNTING BLOCKS AT ORIGINAL HEIGHT.  
 2. ENGINE WEIGHT WILL COMPRESS BLOCKS BY 4.5mm (APPROX).  
 3. MOUNTING BLOCKS ARE EQUIPPED FOR STANDARD ACCESSORY.  
 4. Ⓞ SHOWS CENTER OF GRAVITY.  
 5. ALL DIMENSIONS ARE IN MILLIMETERS